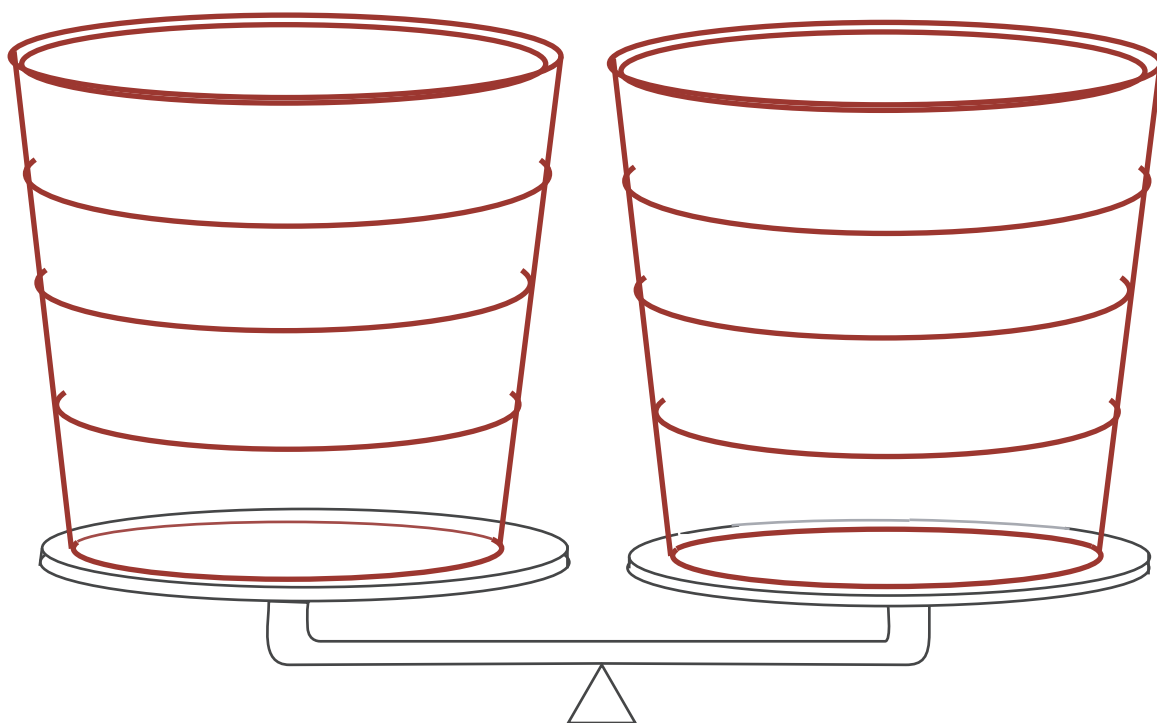
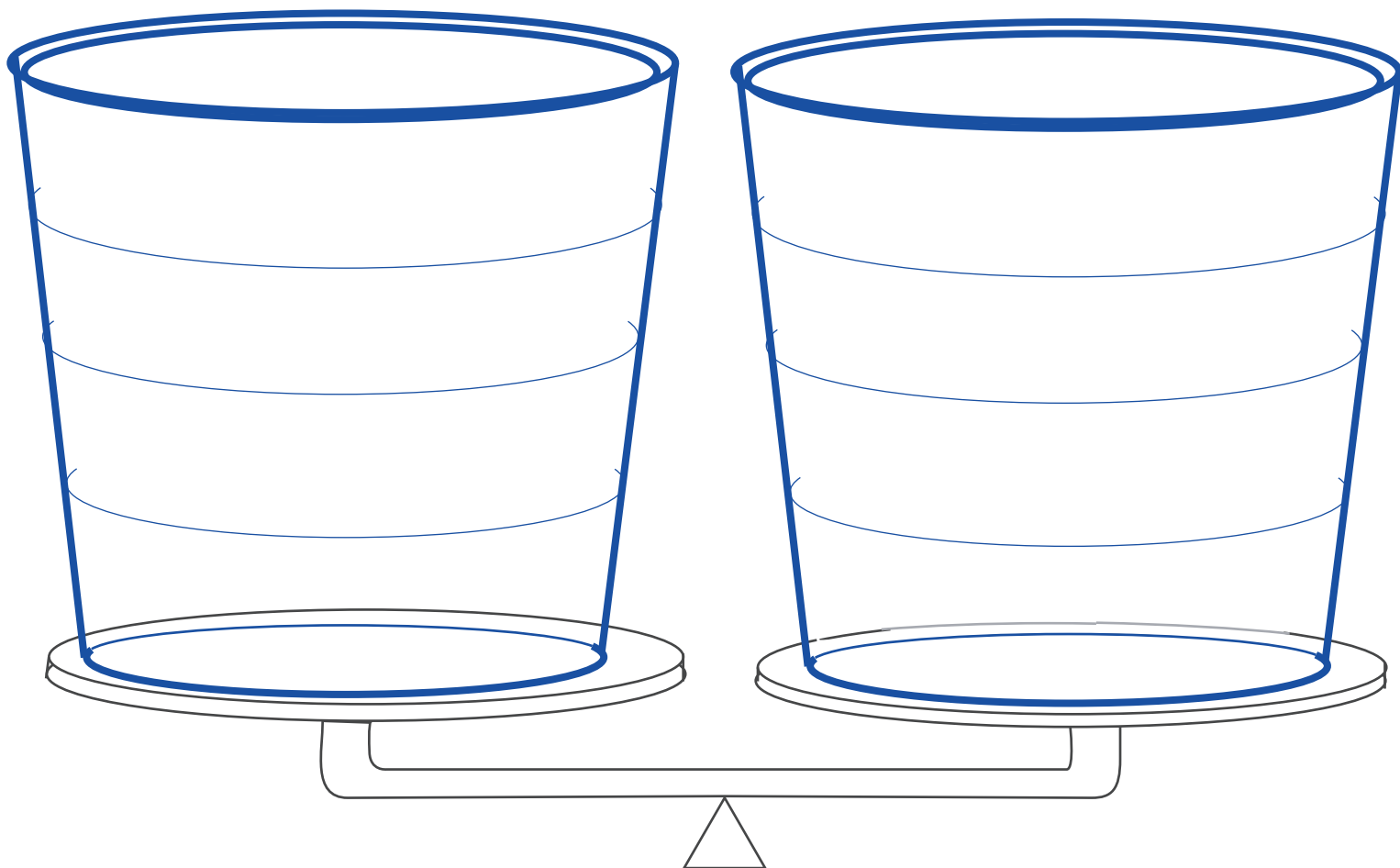


Find \_\_\_\_\_ weight



$3L + 3 = P + 4$     $L + 4 = P$